



SMARTER WAYS TO WORK™



Model shown may include optional equipment.

B230

Straw Blower

The FINN B230 Straw Blower is designed for maximum performance and operator convenience. It is widely considered the standard by which all straw and hay mulching equipment should be measured. With the highest material capacity in the industry (up to 20 tons/hour), the B230 handles the toughest material while performing at high levels of production and dependability. The B230 is the Straw Blower of choice for mine reclamation, highway construction, and large commercial sites.

Field Tested Tough.

The B230 is the result of extensive research, field testing, and, most importantly, customer input. We asked the people that mean the most – the people who can quickly evaluate equipment as soon as they put it to the test on the job. We heard, “Give us a Straw Blower that gives the most for our equipment dollars.” With many features you just won’t find on other Straw Blowers, the B230 delivers.

Power & Control.

The B230 Straw Blower features a Yanmar T4F turbo-charged diesel engine, coupled with a heavy-duty over-center clutch to provide smooth, high torque power to the blower. All controls are easily accessible from the operator’s seat, including the new digital engine information display. The discharge cannon has been designed to provide superior air flow, providing maximum discharge distance. The field-proven operator-controlled hydraulic (variable speed) power feed system is designed for reliable performance throughout the life of the machine. Its design eliminates the need for an extra person to hand feed, providing significant labor savings.

As the world leader for over 85 years in the design and manufacture of innovative, quality equipment for the erosion control industry, FINN Corporation is committed to your complete satisfaction.

Applications.

- Mine Reclamation
- Road Construction
- Large Commercial Sites
- Raindrop Erosion Protection

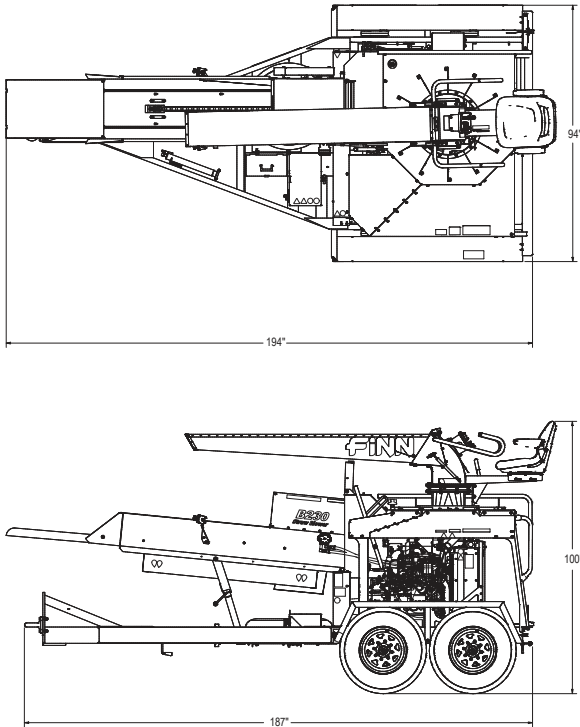
Features & Benefits

- High production of up to 20 tons per hour for the biggest jobs
- Discharges straw up to 90 feet
- Operator station with adjustable, padded seat with arm rests for comfort and to avoid fatigue
- Ball bearing mounted discharge cannon with 359 degree horizontal rotation for maximum coverage
- Feed tray with variable speed hydraulic powered conveyor to feed straw at your pace
- Tandem, 6,000 pound rubber torsion axles for greater stability on the road and the job site
- Beater chamber features eight removable beater chains to ensure optimal processing of discharged material

**B230
Straw Blower**

Technical Specifications

B230 Trailer



Power	72hp (53.7 kW) Yanmar 4TNV98CT-NVT turbo charged diesel with over-center clutch.
Engine Safety System	Engine ECU control with self diagnostics. Includes low oil pressure and high water temperature, automatic derate, and shut-off
Capacity	Up to 20 tons of straw per hour
Fuel Tank Capacity	27 Gallon (102 L)
Blower	Dynamically balanced, 30" (76 cm) diameter fan with 6 blades developing a velocity greater than 185 mph (298 kph)
Range	Up to 90 ft (27.4 m) in still air
Feed Tray	Hydraulic powered conveyor chain with variable speed control. Tray includes an adjustable elevation and length to meet the bed of supply vehicle
Beater Chamber	13 cu. ft. (368 L) with 8 removable beater chains for separating straw. Accepts both 2-string and 3-string rectangular bales
Discharge Tube	Ball bearing mounted. 359 degree horizontal rotation, 40 degree vertical travel with gas spring counter balance
Frame & Trailer	Heavy-duty 6" (15.2 cm) channel with tandem 6,000 lb. (2,730 kg) rubber torsion axles ST22/90D16 load range E tires, swing away parking jack, heavy-duty tow eye, fenders, flashing warning light, and DOT highway lights
Operator Station	Adjustable padded seat with fold-up arm rests mounted on the discharge head. Control panel includes digital engine information display, throttle, engine start/stop, horn and full discharge tube control. Centrally located power feed control and clutch lever within arms reach of operators station
Drives	Blower fan driven by power band belt. Feed chute roll and chain hydraulically driven with variable speed control
Weight	4,760 lbs (3,584 kg)
Brakes	Electric with breakaway switch
Operator Safety	Emergency shutdown buttons on feed tray and safety interlock switches on all access doors

FINN Corporation has a policy of continuous product improvement, and reserves the right to change design and specifications without notice. FINN Design® Logo are registered trademarks of FINN Corporation.



9281 LeSaint Drive | Fairfield, OH 45014-5457
Toll Free 800.543.7166 | 513.874.2818

Follow us on:
www.FINNcorp.com